

SmartPIN™ C100

Compact PCI Certified PIN Entry Device

Encrypted PIN Entry for Mobile POS

The SmartPIN C100 is a PCI 2.1 approved PIN entry device that's designed for integrating into tablet PCs or other compact OEM applications. This PIN pad encrypts PIN numbers for secure transmission to the host for processing.

Ultra-Compact Design

SmartPIN C100 is the smallest PIN entry device in the market. SmartPIN C100 is designed to be vandal-resistant, ruggedized, and water spill-proof in indoor retail environments. SmartPIN C100 features two function keys for versatility in the application.

Simple Installation & Easy Integration

SmartPIN C100 is operated through a POS application command & response (API message) structure. The POS application can run on terminal equipments, PCs, or similar systems.

Secure Communication and Operation

The PIN pad is ADA compliant, and offers audio feedback. The backlit LCD display has 2 lines x 12 characters for text and visual indication of the PIN entry process. PIN entry is encrypted and securely transmitted over the RS232 or USB 2.0 communication interface. The built-in battery maintains the cryptographic keys during power outages and storage.

Features and Benefits:

- Ultra-compact design
- USB-HID and RS-232 interface
- Payment Card Industry (PCI 2.1) Certified
- 2x12 characters LCD display with backlight
- Tamper-resistant mechanism
- Encryption algorithms: AES, DES and TDES for PIN encryption
- Key Management: Master/Session, DUKPT
- Clear and encrypted text input
- Audio keystrokes & operation alerts



IDTECH®
Value through Innovation

SmartPIN™ C100 Specifications IDPB-30X100

Electrical

Power Requirements: +5.0 VDC \pm 10%, 200mA Max
Interfaces: USB-HID, RS-232

Environmental

Operating Temperature: 32°F to 131°F (0°C to 55°C)
Storage Temperature: -22°F to 149°F (-30°C to 65°C)
Humidity: Maximum 95% non-condensing
Drop Test: 24 inches (610 mm) height
Drop: 1 corner, 2-sidelines, 3-sides

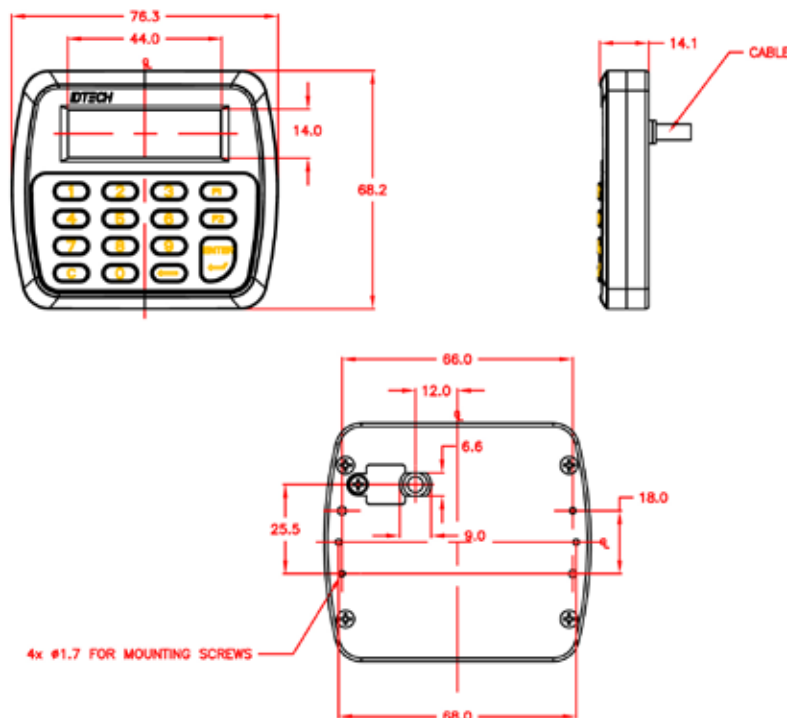
Reliability

Operating Life: 1,500,000 operations
MTBF: 100,000 power-on hours calculated
ESD Immunity: 6KV direct contact & 8KV air discharge without resetting
Approvals: FCC and CE
Warranty: One year, parts and labor

Mechanical

Dimensions(L)x(W)x(H): 3.00 inches (76.3 mm) x 2.69 inches (68.2mm) x 0.56 inches (14.1mm)
Weight: 2.512 oz. (0.157 lbs.)
Keys: 10 numeric, 3 control, and 2 function keys
Display: 2x12-character backlit LCD

Foot Print:



IDTECH[®]
Value through Innovation

Corporate Headquarters:

10721 Walker Street, Cypress, California 90630
www.idtechproducts.com
(714) 761-6368 sales@idtechproducts.com

International Sales Office

Canada & South America:

+450 465 5261 (Canada) robertop@idtechproducts.com

European Sales Offices:

+49(0) 8851 6159900 (Germany)
emea@idtechproducts.com

ISO 9001 Certified