

Sign & Pay™

PCI 2.0 Certified Payment Terminal

Product Overview

ID TECH Sign&Pay is a PCI 2.0 certified payment terminal with integrated Magstripe reader, PIN Pad and LCD signature panel. It provides excellent card reading performance as well as a bright, easy to read screen. An optional, external contactless reader module can also be attached to the device for hardware upgrades.

Ease of Use

The user can swipe the cards and enter PIN number or author signature for transactions. The large color LCD screen makes on-screen navigation easy with the stylus. The device is command-driven and fully programmable to display custom graphics and prompts.

Well-Designed Package

The screen is uniquely positioned on the bottom of the device for a better signing experience. The PCI 2.0 certified PIN Pad is recessed to provide maximum privacy. The stylus holder can be conveniently mounted on the right or top of the unit. It can be mounted on a stand or placed on a countertop. The contact form factor also enables handheld use.

Applications

Sign&Pay is ideal for retail, banking, and self-service industry.

Features and Benefits:

- PCI 2.0 certified payment terminal
- DES and TDES encryption algorithms for PIN encryption
- DES and TDES encryption algorithms for MagStripe data encryption
- DUKPT Key Management
- Supports encrypted manual card data entry
- 3.5" QVGA color LCD
- Resistive touch pad technology
- Real-time electronic signature capture
- Signature format supported: .jpg, .bmp .png, .sig and .raw
- Host controlled graphics and prompts display
- Calibration mode available
- Optional contactless module



IDTECH®
Value through Innovation

Sign & Pay™ Specifications IDFA-XXXX

Electrical

Interfaces: USB HID, RS232
Power: 5VDC \pm 10%

Mechanical

Dimensions: 6.18 in (157.15 mm) x 5.9 in (151.35 mm) x 2.4 in (59.95 mm)
Weight: 1.25 lb (20 oz)
Cable Length: 6 ft (1.83 m)

Display

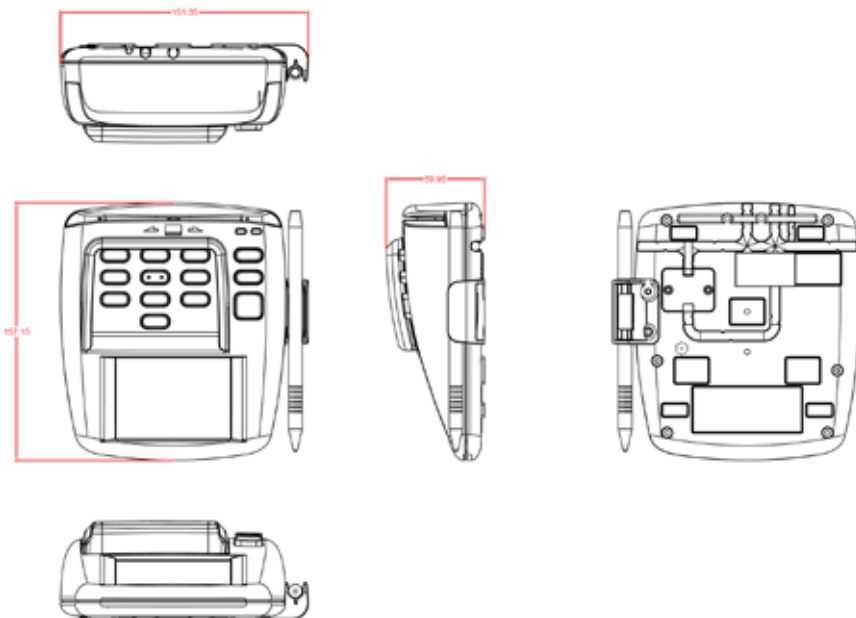
Screen Type: QVGA
Screen Size: 3.5 inches diagonal
Display Resolution: 320 x 240 pixels
Touch Pad Sampling Rate: 118 samples/second
Touch Screen: Resistive

Environmental

Operating Temperature Range: 0°C to 55°C (32°F to 131°F), non-condensing
Storage Temperature Range: -30°C to 65°C (-22°F to 149°F), non-condensing
Relative Humidity: maximum 95% non-condensing
ESD: 4 kV direct contact, 8 kV air discharge

Reliability

Magnetic Head Life: 1,000,000 passes minimum
Rail and Cover Life: 1,000,000 passes minimum
MTBF: 300,000 POH



IDTECH[®]
Value through Innovation

Corporate Headquarters:
10721 Walker Street, Cypress, California 90630
www.idtechproducts.com
(714) 761-6368 sales@idtechproducts.com

**International Sales Office
Canada & South America:**
+ 450 465 5261 (Canada) robertop@idtechproducts.com

European Sales Offices:
+ 49(0) 8851 6159900 (Germany)
emea@idtechproducts.com

ISO 9001 Certified