

# SREDKey™

PCI Key Pad with Encrypted MagStripe Card Reader



## PCI Certified Security

SREDKey™ is an encrypted key pad with an LCD and an encrypted MagStripe reader that offers retailers a complete and reliable security solution that meets the PCI-PTS certification. This intelligent reader delivers superior reading performance while encrypting sensitive MagStripe and keyed-in data that reduces the scope of PCI-DSS. The SREDKey ensures all data transactions are protected through secure point to point encryption reducing fraud and data compromises. Data encryption prevents card holder information from being accessed when data is stored or in transit. It also allows customers the flexibility to choose a decryption party right for them. The SREDKey supports TDES and AES data encryption using DUKPT key management.

## Encrypted Data Protection

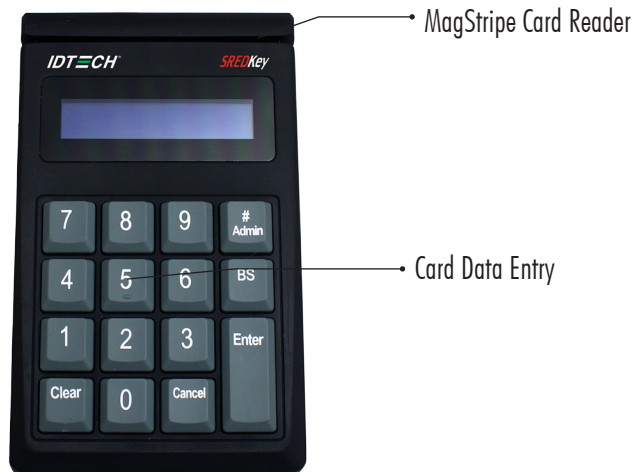
ID TECH's SREDKey ensures secure reading and exchange of data (SRED) to protect the cardholder's account information at the point of acceptance. The SREDKey meets PCI certifications with its encrypted MSR and secure data entry process for protection of non-PIN cardholder data. Each SREDKey is assigned a unique serial number for tracking purposes. Encrypted data output with confirmation data in clear text form is programmable up to the first six digits and the last four digits of the account number. For increased data protection, SREDKey has several operational security levels allowing the user to select the security profile needed for the application.

## Simple Installation and Reliability

The SREDKey is available in both USB-KeyBoard and USB-HID interfaces for flexible installation options. The SREDKey also features proven reliability known within ID TECH's products and has an operating life of at least 1,000,000 swipes and key entries.

## Features and Benefits:

- PCI-PTS 3.x SRED Key Pad and MagStripe Card Reader
- Supports TDES and AES encryption algorithms
- DUKPT key management
- Supports encryption of MagStripe card data and manually keyed-in card numbers
- Keys are a comfortable size with good tactile feel
- Reads up to 3 tracks of information
- Powered through USB port, no external power supply required
- Provides two lines by 20-character LCD backlit display
- Card readers have a one million operations life
- Certified key injection service available



**IDTECH®**  
Value through Innovation

# SREDKey™

## Specifications IDSK-53X833AAA

### Electrical

Power Requirements: +5.0 VDC  $\pm$ 10%, 60 ma Max  
Interfaces: USB-KeyBoard and USB-HID

### Environmental

Operating Temperature: 32°F to 131°F (0°C to 55°C)  
Storage Temperature: -4°F to 149°F (-20°C to 65°C)  
Humidity: Maximum 90% non-condensing  
Drop Test: 24 inches (610 mm) height;  
Drop: 4 corner, 6 surfaces, and all sidelines

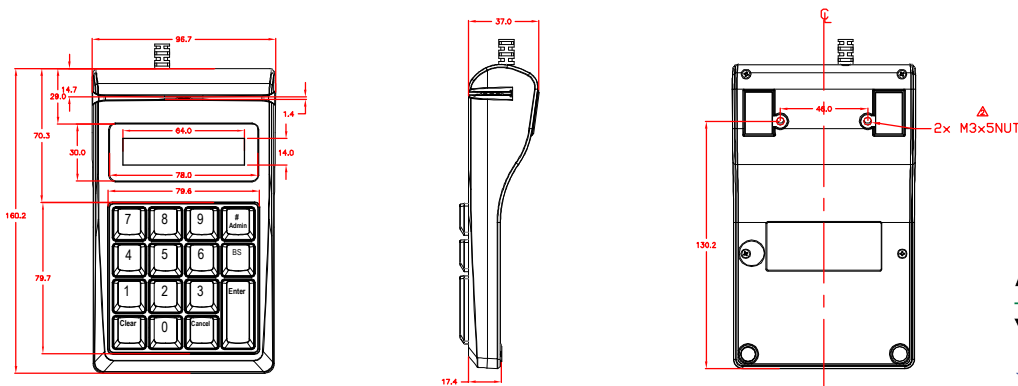
### Reliability

Operating Life: 4,000,000 key operations for each key and 1,000,000 card cycles  
MTBF: More than 60,000 power on hours  
ESD Immunity: 4kV direct contact, 8 kV air discharge  
Approvals: FCC class B and CE, RoHS 2 and REACH certified  
Warranty: One year, parts and labor

### Mechanical

Dimension (L)x(W)x(H): 6.30 inches(160 mm)x 3.80 inches(96.7mm)x 1.46 inches(37mm)  
Media Formats: ISO 7811, AAMVA  
Card Thickness: .015 to .038 inches (0.39 to 1mm)  
Cable Length: 6-foot (1.83m)  
Cable Connector: USB-A connector  
Keyboard Material: ABS, Meets flammability spec. UL94HB  
Key Character Printing: Laser  
Color: Black

Footprint:



### United States Sales Office

#### Corporate Headquarters

10721 Walker Street  
Cypress, CA 90630  
Phone: (714) 761-6368  
Toll Free: (800) 984-1010  
Fax: (714) 761-8880  
sales@idtechproducts.com

### International Sales Offices

#### Asia

+866-3-496-6988 (Taiwan)  
asia@idtechproducts.com.tw

#### Canada

+450-465-5261  
robertop@idtechproducts.com

#### South America

+55-11-3079-2255  
internationalsales@idtechproducts.com

#### Europe

Germany & United Kingdom  
emea@idtechproducts.com

### ISO 9001 Certified

# IDTECH®

Value through Innovation

# VIVOpay®

www.idtechproducts.com